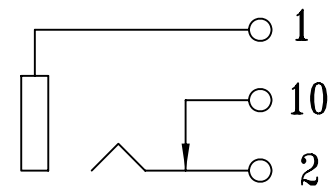
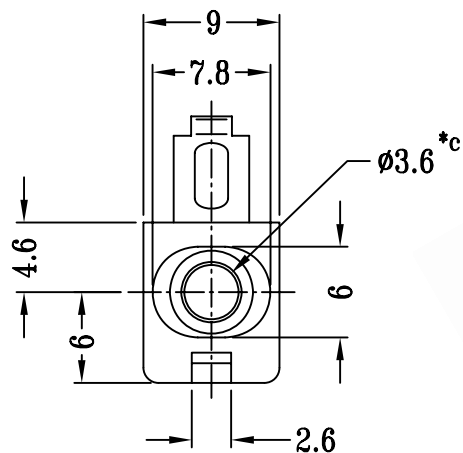
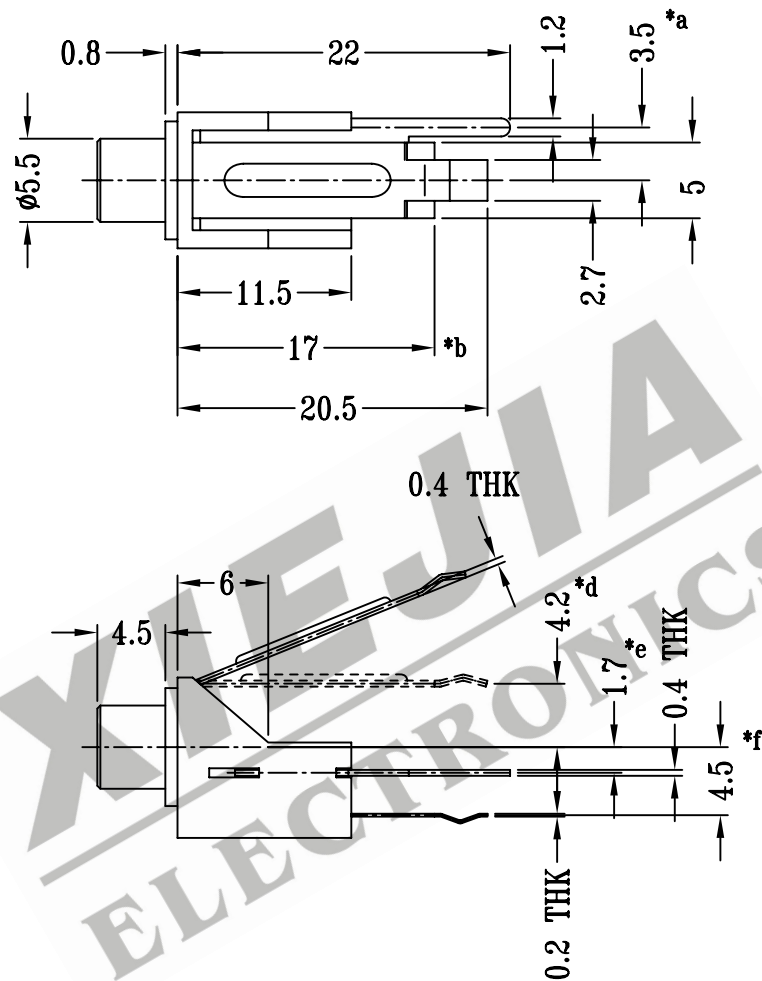
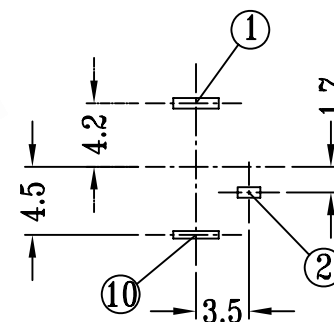


CAD FILE:



SCHEMATIC



P.C.B LAYOUT

注:带"*"表示关键尺寸(6个)

8					TOLERANCE	SHENZHEN XIEJIA ELECTRONICS CO.,LTD.					
7					UNLESS SPECIFIED						
6					WITHIN: 1.5±0.1mm	ISSUE	DATE	DESCRIPTIONS OF REVISION		APPD.	
5	SPRING TERMINAL	PBS STRIP	1	Ag PLATED OVER Ni PLATED	OVER : 1.5±0.2mm	TITLE : PHONE JACK		UNIT : mm	DRWG NO.: XJ-DR-EY504NL4.5-00		
4	TERMINAL	BRASS STRIP	1	Ag PLATED OVER Ni PLATED		MODEL: EY-504-N-L-4.5		SCALE: 2:1	DWN.	ZHOUYU	2004-1-12
3	TERMINAL	BRASS STRIP	1	Ag PLATED OVER Ni PLATED					CHK'D	FANGYING	2004-1-12
2	CASE	PC/ABS	1	MILKY WHITE					APPD.	KANGXINAN	2004-1-12
1	SOCKET	BRASS	1	Ni PLATED							
NO.	PARTS	MATERIALS	Q'TY	FINISH	ALL MATERIALS MUST BE COMPLIANT TO ROHS						